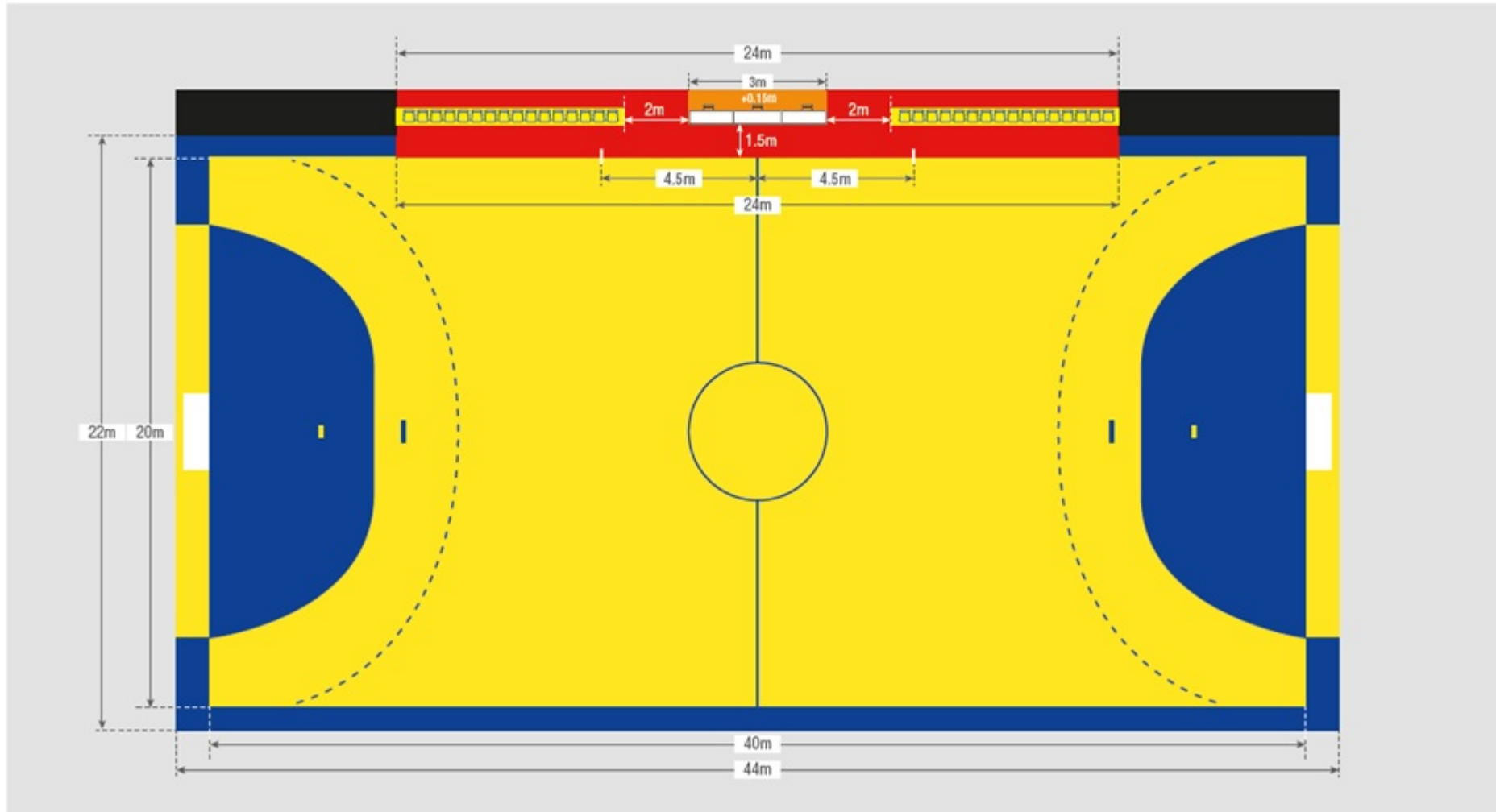


6. HALL MINIMUM REQUIREMENTS & SET-UP

EHF YAC EURO Qualification COURT SET-UP

- Other team sport line markings possible
- Safety distance to advertising boards – 1m from the side line, 2m from the outer goal line

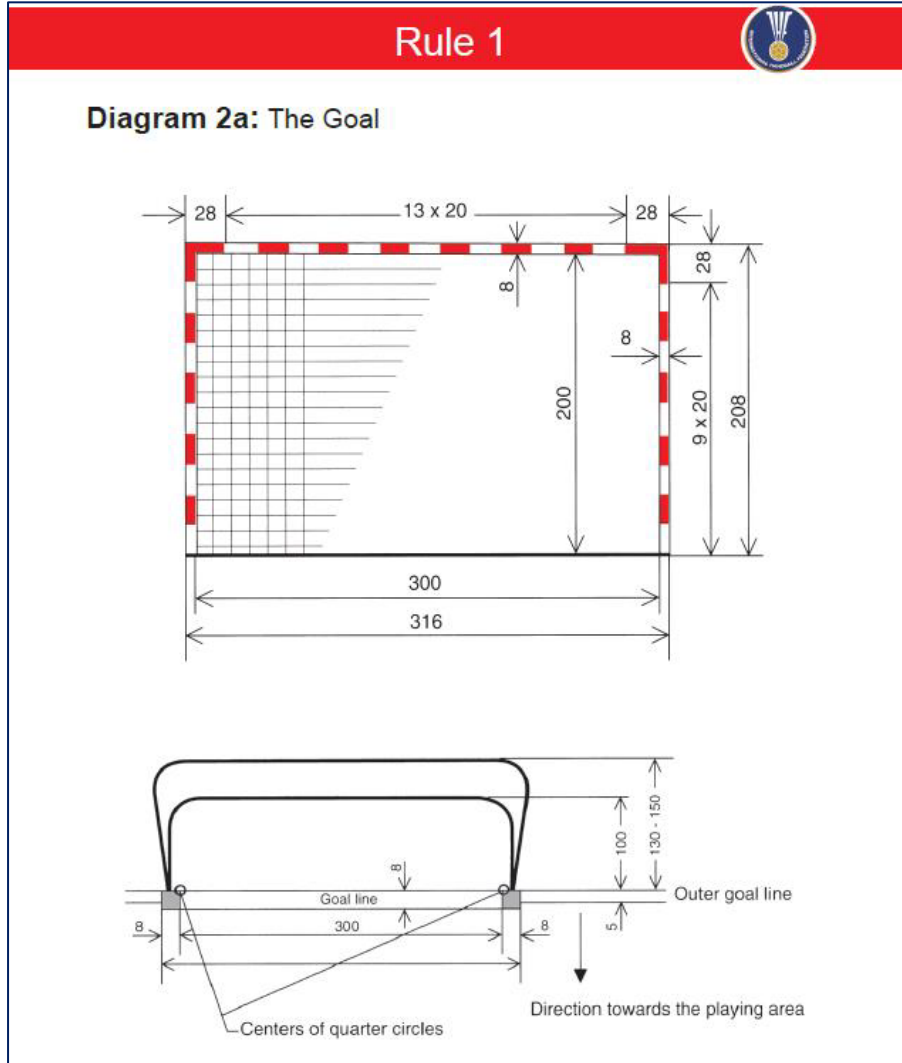


Playing Court	40m x 20m
Base Area	44m x 22m
Min. Hall Capacity	500
Stands	One long side
Scoreboards	One*
Judges' Table	3m x 0,7m
Chairs Judges' Table	Four
Chairs Sub. Area	16
Catch net	Black; 20m x 7
Min. Lighting	800 LUX

Floor thoroughly cleaned
Handball lines only - no
Hall free of other sports equipment
Main camera behind judges' table
Heating / Central air conditioning
Support table (optional) – 4.5m x 1m
Timekeeper's equipment
Mixed zone / Flash zone
Catch net fixed on ad boards
Anti-Doping Room

*1 scoreboard accepted if on the longside opposite the judges table, otherwise 2 scoreboards

THE GOAL: CORRECT SET-UP



AD BOARDS: SAFETY DISTANCE

CORRECT DISTANCE



INCORRECT DISTANCE



SUBSTITUTION AREA



- ✓ One row
- ✓ Sixteen chairs
- ✓ Taped together

- × Double row
- × More than sixteen seats
- × Benches



CATCH NETS

- ✓ Black (not visible on camera)
- ✓ Fixed on ad-boards

- × Any other colour (visible on camera)
- × Not fixed on ad boards, in front of advertising boards

